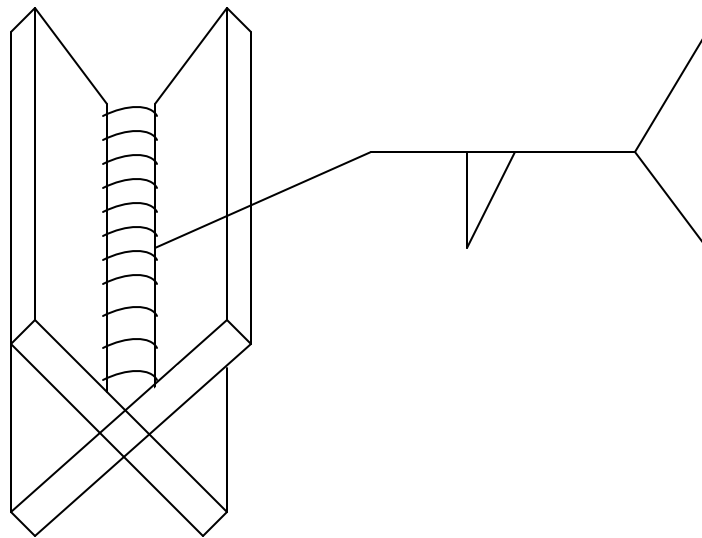
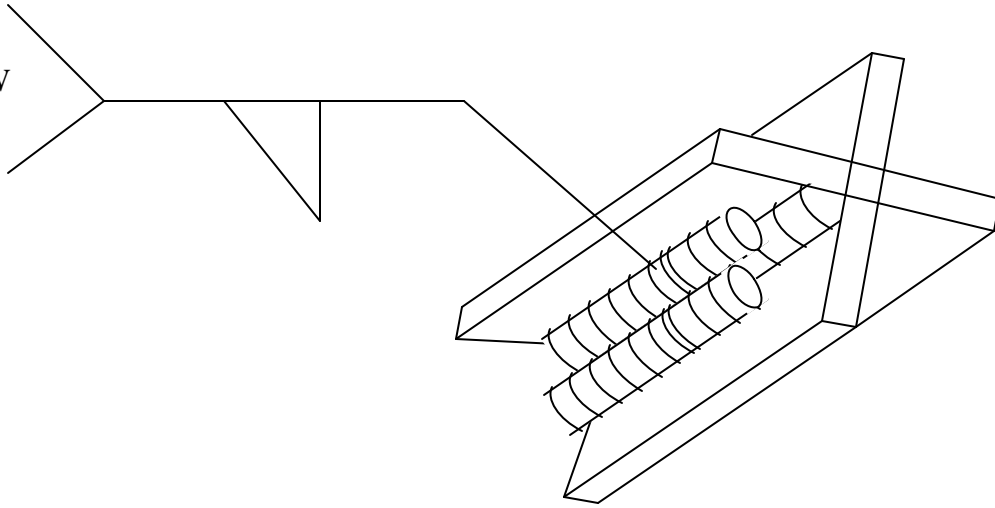


Welding

GMAW
4F



FCAW
1F