

SE Isometric



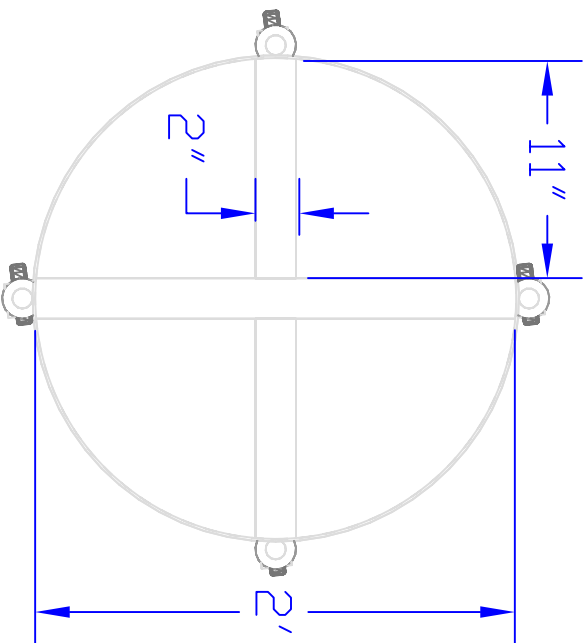
Bottom View

Drum Dolly

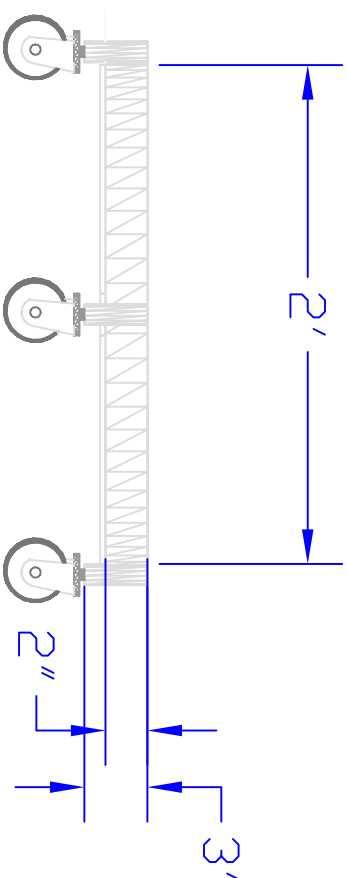
1. 2" X 1/4" X 76" Flat Steel
2. 2" X 1/4" X 24" Flat Steel
3. 2" X 1/4" X 11" Flat Steel (2)
4. 1" Diameter X 3" Pipe (4)
5. 3-1/2" Diameter Casters (4)

Bill of Materials

First, mechanically roll and weld the 2 X 1/4" X 76" flat steel into a 24" diameter circle. Second, weld the 2 X 1/4" X 24" flat across the bottom of the circle. Next, weld the 2 X 1/4" X 11" flat pieces perpendicular to the 24" flat. Attach the four pieces of pipe to the four tangents of the circle. Prime and paint according to preference. Insert the casters as directed in the instructions.



Plan View



Side View